



Sustainable steel wire





## Welcome to AGRO Steel Wire, ...

### ... your experienced partner for sustainably good wire

For decades, the name AGRO has been associated with innersprings of the highest quality all around the globe. Since its formation in 2004, our wire plant, AGRO Steel Wire, has also developed into an acknowledged specialist in meeting the highest demands in wire. This success arises from both our depth of experience in the field of bedding & seating and our track record of meeting customer needs in many other areas of application.

### AGRO Steel Wire stands for ...

#### ... long established competence and experience

in the production and worldwide export of high quality wire,

#### ... highest level of flexibility and service,

realised by our qualified employees,

#### ... environmentally friendly production

where sustainability is not merely lip service,

#### ... a comprehensive range of high quality iron and steel wire

which means that we will surely be able to meet your specific needs,

#### ... a partner

you can absolutely rely on.



## Quality & environment

### AGRO core values

We are convinced that the principles of quality and environmental protection are not simply ‚nice to have‘ but essential to our collective success – now and in the future. Modern machinery, clean cast production, permanent quality control and traceability up to and including the raw material – these are the foundations of quality at AGRO Steel Wire. Our quality management makes us a reliable partner for you – and by investing in environmentally friendly production, we play our part in saving valuable resources for future generations.

### Our certified quality at a glance ...

- DIN EN ISO 9001 quality management
- DIN EN ISO 50001 energy management
- Manufacturing process carried out in line with DIN EN 10270-1
- Use of premium wire rod which is produced exclusively according to DIN EN ISO 16120-2 – in rolling mills being validated by us
- Testing of the final products in accordance with the demands of DIN EN 10218-1 and DIN EN 10218-2 respectively

### ... and our environmentally friendly production in detail

- Mechanical descaling to prepare the wire rod optimally for the subsequent drawing process
- Use of environmentally friendly drawing lubricants and coating agents
- Borax free production
- Preferred use of environmentally friendly raw, auxiliary and operating materials
- Heat recovery and resource-efficient management of cooling water
- Reduction of road freight transport thanks to an own railway siding on-site



## Our products

### Wide range of high quality products in the fields of high carbon and low & medium carbon

Our current product portfolio includes cold-drawn, round iron and steel wire with a diameter range between 0.8 mm and 5.0 mm and a tensile strength of up to 2300 MPa.

### Our range is focused on wires for the following areas of application:

- Innersprings and zig-zag springs for the mattress and upholstery industry (bedding & seating)
- Technical applications
- Bending and screen solutions
- Wire ropes

Our high quality wires are available with different surfaces, packaging specifications and tensile strength categories. See an outline of what is available in the following paragraphs with further information on specifications on the product sheets attached.

#### Surfaces:

- Bright
- Phosphated
- Copper-plated

#### Packaging specifications:

- Former
- Cardboard tube
- Steel reel type B760
- Z-2 coil
- Z-3 coil
- Catchweight coils
- Wooden reel RP 700

#### Tensile strength categories:

- SL
- SM / DM
- SH / DH

Do you need something special? Please do not hesitate to contact us directly. Customised products are available on request.



## Contact

### Getting in touch with us

If you are looking for a reliable partner and would like to learn more about our company and products, we would be very pleased to hear from you. We look forward to discussing and agreeing with you the best solutions to meet your particular needs.



#### **AGRO Steel Wire GmbH**

Senfdamm 21

49152 Bad Essen

Phone +49 5472 9599-0

Fax +49 5472 9599-10

[infoasw@agro-steel-wire.de](mailto:infoasw@agro-steel-wire.de)

[www.agro-steel-wire.de](http://www.agro-steel-wire.de)

## Bedding & Seating

### Produktspezifikationen / Product specifications

#### Taschenfederdraht / Pocket spring wire

| Produkt<br>Product | Toleranz<br>Tolerance | Festigkeit<br>Tensile strength |
|--------------------|-----------------------|--------------------------------|
| 0.80 - 1.15 mm     | + 0.00 mm / - 0.03 mm | 2000 - 2200 MPa                |
| 1.29 - 1.69 mm     | + 0.00 mm / - 0.03 mm | 1900 - 2100 MPa                |
| 1.70 - 2.20 mm     | + 0.00 mm / - 0.03 mm | 1850 - 2050 MPa                |

#### Bonneldraht / Bonnell wire

| Produkt<br>Product | Toleranz<br>Tolerance | Festigkeit<br>Tensile strength |
|--------------------|-----------------------|--------------------------------|
| 1.29 - 2.10 mm     | + 0.00 mm / - 0.03 mm | 1650 - 1850 MPa                |
| 2.19 - 2.29 mm     | + 0.00 mm / - 0.03 mm | 1650 - 1850 MPa                |
| 2.38 - 2.49 mm     | + 0.00 mm / - 0.03 mm | 1550 - 1700 MPa                |

#### Spiraldraht / Helical wire

| Produkt<br>Product | Toleranz<br>Tolerance | Festigkeit<br>Tensile strength |
|--------------------|-----------------------|--------------------------------|
| 1.20 - 1.25 mm     | + 0.00 mm / - 0.03 mm | 1650 - 1920 MPa                |
| 1.27 - 1.37 mm     | + 0.00 mm / - 0.03 mm | 1600 - 1800 MPa                |
| 1.39 - 1.42 mm     | + 0.00 mm / - 0.03 mm | 1620 - 1820 MPa                |

#### Wellenfederdraht / Zig-zag spring wire

| Produkt<br>Product | Toleranz<br>Tolerance | Festigkeit<br>Tensile strength |
|--------------------|-----------------------|--------------------------------|
| 2.80 - 3.80 mm     | + 0.00 mm / - 0.03 mm | 1550 - 1700 MPa                |
| 3.00 - 4.00 mm     | + 0.00 mm / - 0.03 mm | 1600 - 1800 MPa                |
| 3.90 - 4.00 mm     | + 0.00 mm / - 0.03 mm | 1550 - 1700 MPa                |

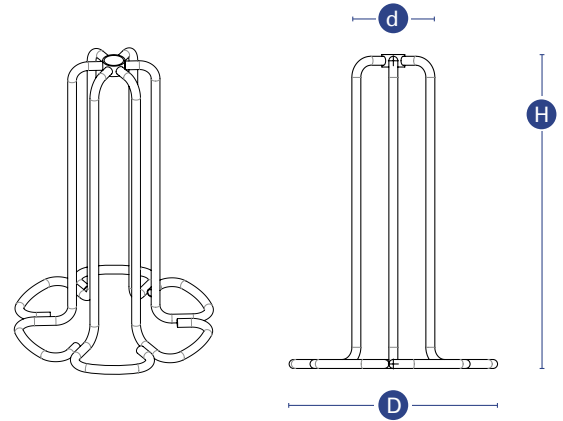
**i** Weitere Güten und Abmessungen erfüllen wir gerne auf Anfrage.  
Customised products are available on request.

## Bedding & Seating

### Aufmachungen / Packaging specifications

**i** Auf Anfrage können wir Ihnen auch Einweg-Kronenstöcke anbieten.  
Auch verkupferter Draht ist bei uns auf Kronenstöcken erhältlich.

Disposable formers are available on request.  
Copper-plated wire is also available on formers.



#### Kronenstock / Former

| D            | d            | H       | kg          |
|--------------|--------------|---------|-------------|
| 800 mm       | 450 mm       | 1200 mm | 500 - 750   |
| 940 mm       | 450 mm       | 1300 mm | 500 - 1100  |
| 940 mm       | 500 mm       | 1300 mm | 500 - 1100  |
| 940 - 990 mm | 450 - 550 mm | 1500 mm | 1000 - 1500 |

#### Papphülse / Cardboard tube

| D            | d      | H      | kg        |
|--------------|--------|--------|-----------|
| 800 - 940 mm | 450 mm | 800 mm | 500 - 800 |
| 800 - 940 mm | 500 mm | 900 mm | 500 - 800 |


## Technische Anwendungen / Technical applications

### Produktspezifikationen / Product specifications

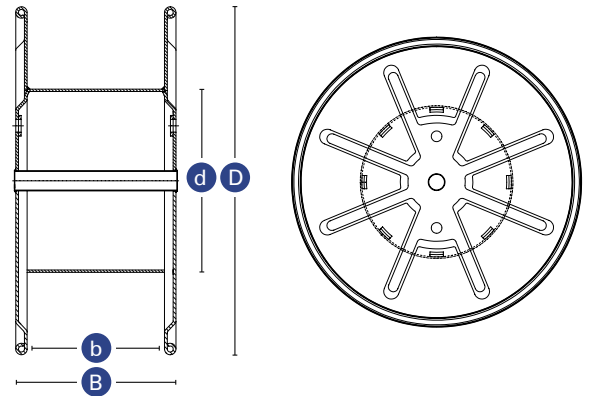
#### Technischer Federdraht / Technical spring wire

| Produkt<br>Product | Toleranz<br>Tolerance                               | Festigkeit<br>Tensile strength |
|--------------------|---|--------------------------------|
| 0.80 - 1.00 mm     | gemäß DIN EN 10270-1<br>according to DIN EN 10270-1 | SL / SM / DM*                  |
| 1.15 - 1.20 mm     | gemäß DIN EN 10270-1<br>according to DIN EN 10270-1 | SL / SM / DM / SH / DH*        |
| 1.25 - 4.00 mm     | gemäß DIN EN 10270-1<br>according to DIN EN 10270-1 | SL / SM / DM / SH / DH*        |

\*gemäß DIN EN 10270-1 / according to DIN EN 10270-1

 Weitere Güten und Abmessungen erfüllen wir gerne auf Anfrage.  
Customised products are available on request.

### Aufmachungen / Packaging specifications



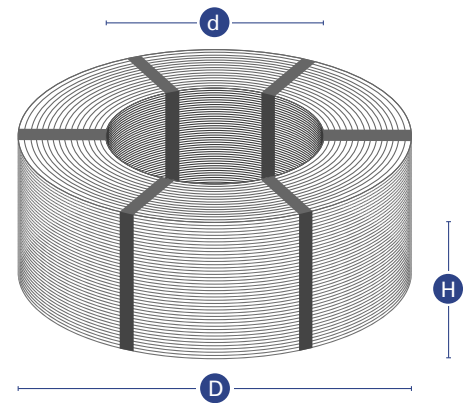
#### Blechspule / Steel reel

| D      | d      | b      | B      | kg  |
|--------|--------|--------|--------|-----|
| 760 mm | 430 mm | 240 mm | 280 mm | 350 |
| 760 mm | 430 mm | 365 mm | 400 mm | 450 |



## Technische Anwendungen / Technical applications

### Aufmachungen / Packaging specifications



#### Z-2 Coil / Z-2 coil

| D            | d      | H      | kg        |
|--------------|--------|--------|-----------|
| 700 - 800 mm | 400 mm | 350 mm | 400 - 450 |

#### Z-3 Coil / Z-3 coil

| D      | d               | H               | kg         |
|--------|-----------------|-----------------|------------|
| 950 mm | 540 mm / 610 mm | 465 mm / 310 mm | 750 - 1200 |

#### Holzspule RP 700 / Wooden reel RP 700

| D      | d     | H      | kg        |
|--------|-------|--------|-----------|
| 750 mm | 85 mm | 560 mm | 650 - 750 |

#### Ringe / Catchweight coils

| D           | d          | kg        |
|-------------|------------|-----------|
| max. 950 mm | ca. 500 mm | 50 - 550* |

\*durchmesserabhängig / depending on diameter

## Sieb-/ Gewebedraht, Eisendraht / Wire for screens and woven mesh, low carbon wire

### Produktspezifikationen / Product specifications

#### Sieb-/ Gewebedraht / Wire for screens and woven mesh

| Produkt<br>Product | Toleranz<br>Tolerance                               | Festigkeit<br>Tensile strength |
|--------------------|---|--------------------------------|
| 3.15 mm            | gemäß DIN EN 10218-2<br>according to DIN EN 10218-2 | 1400 - 1500 MPa                |
| 3.50 mm            | gemäß DIN EN 10218-2<br>according to DIN EN 10218-2 | 1400 - 1500 MPa                |
| 4.00 mm            | gemäß DIN EN 10218-2<br>according to DIN EN 10218-2 | 1400 - 1650 MPa                |

#### Eisendraht / Low carbon wire

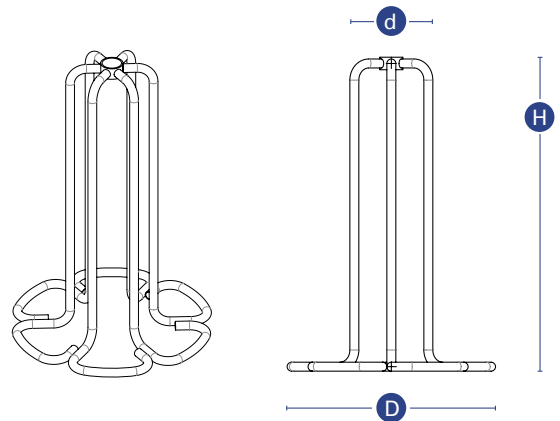
| Produkt<br>Product | Toleranz<br>Tolerance                               | Festigkeit<br>Tensile strength |
|--------------------|---|--------------------------------|
| 1.00 - 5.00 mm     | gemäß DIN EN 10218-2<br>according to DIN EN 10218-2 | 600 - 1050 MPa                 |

**i** Weitere Güten und Abmessungen erfüllen wir gerne auf Anfrage.  
Customised products are available on request.

### Aufmachungen / Packaging specifications

**i** Auf Anfrage können wir Ihnen auch Einweg-Kronenstöcke anbieten.  
Auch verkupfelter Draht ist bei uns auf Kronenstöcken erhältlich.

Disposable formers are available on request.  
Copper-plated wire is also available on formers.

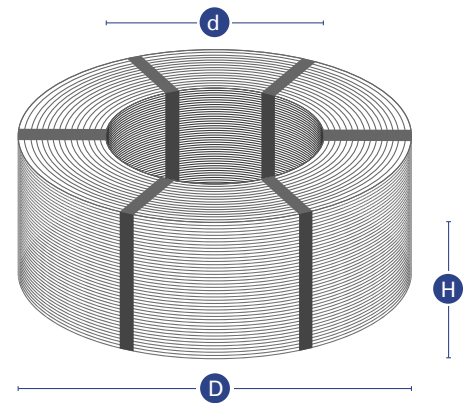


#### Kronenstock / Former

| D            | d            | H       | kg          |
|--------------|--------------|---------|-------------|
| 800 mm       | 450 mm       | 1200 mm | 500 - 750   |
| 940 mm       | 450 mm       | 1300 mm | 500 - 1100  |
| 940 mm       | 500 mm       | 1300 mm | 500 - 1100  |
| 940 - 990 mm | 450 - 550 mm | 1500 mm | 1000 - 1500 |

## Sieb-/ Gewebedraht, Eisendraht / Wire for screens and woven mesh, low carbon wire

## Aufmachungen / Packaging specifications



## Z-2 Coil / Z-2 coil

| D            | d      | H      | kg        |
|--------------|--------|--------|-----------|
| 700 - 800 mm | 400 mm | 350 mm | 400 - 500 |

## Z-3 Coil / Z-3 coil

| D      | d               | H               | kg         |
|--------|-----------------|-----------------|------------|
| 950 mm | 540 mm / 610 mm | 465 mm / 310 mm | 750 - 1200 |

## Papphülse / Cardboard tube

| D            | d      | H      | kg        |
|--------------|--------|--------|-----------|
| 800 - 940 mm | 450 mm | 800 mm | 500 - 800 |
| 800 - 940 mm | 500 mm | 900 mm | 500 - 800 |